

NEURO TRONIC



Bluetooth® and Apps

Via Bluetooth®, you can easily connect the controller to the remote control, the Expert app (for orthotists) and the User app (for patients).



The Expert App is required to put the orthosis into operation and to adjust it. The app must be activated once via the code generator for the Expert app on the FIOR & GENTZ website.

The User App operates the orthosis. It is available as a complement to the remote control.



*The Bluetooth® word mark and logos are registered trademarks of Bluetooth SIG, Inc. and any use of such marks by FIOR & GENTZ is under license.

Main Function		<p>monocentric, automatic stance phase control with posterior offset</p> <ul style="list-style-type: none"> - preassembled in 5° flexion
Activation		electromechanical locking and unlocking via motion sensors
Type of Extension Stop		static extension stop
Adjustment Options		flexion angle can be adjusted as required (0°, 10°) by exchanging the joint's upper part
Other Functions		<p>mode change via lever on the cover plate, remote control or Expert app/User app</p> <p>basic function in Auto mode</p> <ul style="list-style-type: none"> - locked in stance phase, free moving in swing phase - range of motion in extension can be limited as required by exchanging the joint's upper part (swing phase) - flexion angle can be adjusted as required by exchanging the joint's upper part (stance phase) <p>alternative function in Lock mode</p> <ul style="list-style-type: none"> - permanently mechanically locked via remote control, Expert app/ User app <p>alternative function in Free mode</p> <ul style="list-style-type: none"> - permanently mechanically unlocked via lever or electromechanically via remote control, Expert app/User app

The NEURO TRONIC system knee joint can be converted into a NEURO MATIC system knee joint by exchanging the functional unit and other corresponding system components. An orthosis with a NEURO TRONIC system knee joint can be converted into an orthosis with a NEURO HiTRONIC system knee joint by exchanging the system joint.

The NEURO VARIO system knee joint can be used as a supporting joint for the NEURO TRONIC system knee joint.



To produce an orthosis with a NEURO TRONIC system knee joint, you need the following components:

- ➔ system knee joint (page F20.4)
- ➔ controller set (page F20.7)
- ➔ remote control set (page F20.7)
- ➔ connection cable set (page F20.8)
- ➔ lamination dummy for the controller (page F20.10)
- ➔ system side bars/anchors (page I1ff.)
- ➔ Expert app
- ➔ User app (optional for the patient)



16mm

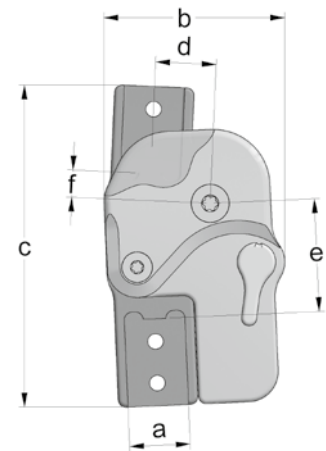
20mm

Joint Dimensions [mm]

Dimension	Description	System Width a	
		16mm	20mm
b	joint head width	48	56
c	joint height	85	95
d	posterior offset	16	20
e	distance pivot point – lower system case	30	32
f	distance pivot point – upper system case	7	8
	joint thickness	16.5	16.5

Joint Weights [g]

Material	Unit	System Width	
		16mm	20mm
titanium	piece	126	174



The NEURO TRONIC system knee joint is delivered with the following articles:

- orthosis joint grease, 3g
- assembly/lamination dummy

- ➔ Please order the controller set, the remote control set, the connection cable set, the lamination dummy for the controller and the system side bars/anchors separately.
- ➔ You will find the controller set on catalogue page F20.7.
- ➔ You will find remote control set on catalogue page F20.7.
- ➔ You will find the connection cable sets on page F20.8.
- ➔ You will find the lamination dummy for the controller on catalogue page F20.10.
- ➔ You will find system side bars and system anchors on catalogue page I1ff.

Note: the Expert App is required to put an orthosis with a NEURO TRONIC system knee joint into operation and to adjust it. The app must be activated once via the code generator for the Expert app on the FIOR & GENTZ website. You can download the Expert app for any number of smartphones/tablets for Android and iOS and use it to adjust the orthosis. The User app is available to patients to complement their remote control and can be operated via their smartphone/tablet or their Apple Watch*.

* Apple Watch is a trademark of Apple Inc., registered in the U.S. and other countries.



straight
fig. 1



bent inwards distally
fig. 2



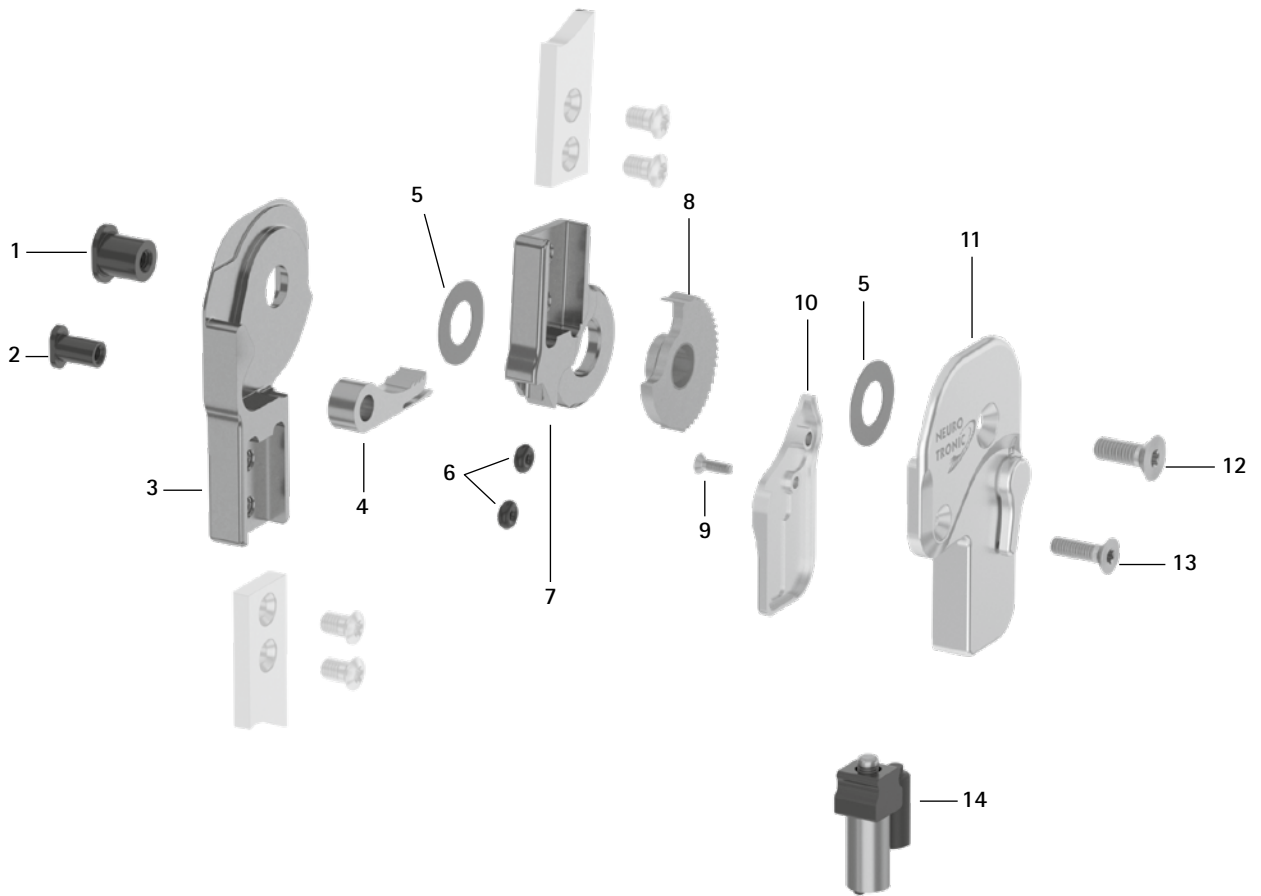
bent outwards distally
fig. 3

Straight (Fig. 1)				
Material	Leg Side	Unit	Article Number for System Width	
			16mm	20mm
titanium	left lateral or right medial	piece	SK3853-L/TI	SK3855-L/TI
	left medial or right lateral	piece	SK3853-R/TI	SK3855-R/TI

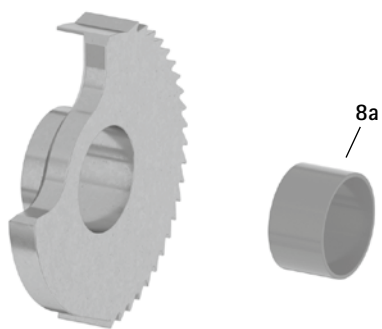
Bent Inwards Distally (Fig. 2)				
Material	Leg Side	Unit	Article Number for System Width	
			16mm	20mm
titanium	left lateral or right medial	piece	SK3873-L/TI	SK3875-L/TI
	left medial or right lateral	piece	SK3873-R/TI	SK3875-R/TI

Bent Outwards Distally (Fig. 3)				
Material	Leg Side	Unit	Article Number for System Width	
			16mm	20mm
titanium	left lateral or right medial	piece	SK3843-L/TI	SK3845-L/TI
	left medial or right lateral	piece	SK3843-R/TI	SK3845-R/TI

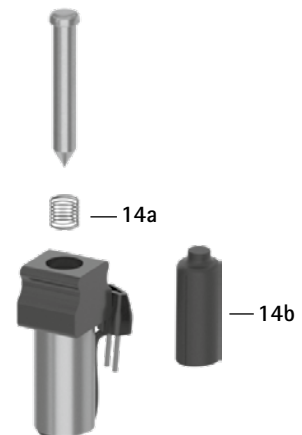
Spare Parts



Toothed Ring with Sliding Bushing, Preassembled (8)



Solenoid Unit (14)

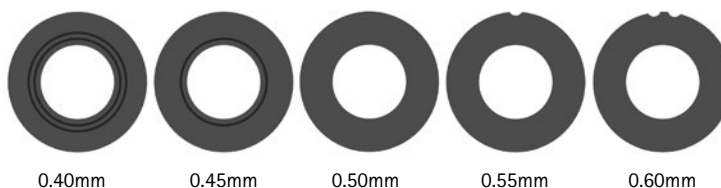


Spare Parts			
Item	Article Number for System Width		Description
	16mm	20mm	
1	SB9669-L0990	SB1069-L1000	bearing nut (joint axis)
2	SB6049-L0990	SB8559-L1000	bearing nut (locking pawl)
3	SK0313-L/TI	SK0315-L/TI	lower part, left lateral or right medial, straight, titanium
3	SK0313-R/TI	SK0315-R/TI	lower part, left medial or right lateral, straight, titanium
3	SK0333-L/TI	SK0335-L/TI	lower part, left lateral or right medial, bent inwards, titanium
3	SK0333-R/TI	SK0335-R/TI	lower part, left medial or right lateral, bent inwards, titanium
3	SK0333-8L/TI	SK0335-8L/TI	lower part, left lateral or right medial, bent outwards, titanium
3	SK0333-8R/TI	SK0335-8R/TI	lower part, left medial or right lateral, bent outwards, titanium
4	SK0373	SK0375-2	locking pawl
5	GS1910-*	GS2411-*	sliding washer*
6	VE3771-D/012/26	VE3771-D/012/26	O-ring damper set
7	SK0303-2L/TI	SK0305-2L/TI	5° upper part, left lateral or right medial, straight, titanium
7	SK0303-2R/TI	SK0305-2R/TI	5° upper part, left medial or right lateral, straight, titanium
8	SK0363-2L	SK0365-2L	toothed ring with sliding bushing, left lateral or right medial, titanium
8	SK0363-2R	SK0365-2R	toothed ring with sliding bushing, left medial or right lateral, titanium
8a	BP1110-L059	BP1211-L059	sliding bushing
9	SC1403-L08/1	SC1403-L08/1	countersunk flat head screw with hexalobular socket
10	SK0343-2L/AL	SK0345-2L/AL	small cover plate, left lateral or right medial, aluminium
10	SK0343-2R/AL	SK0345-2R/AL	small cover plate, left medial or right lateral, aluminium
11	SK3893-L	SK3895-L	cover plate with lever, left lateral or right medial
11	SK3893-R	SK3895-R	cover plate with lever, left medial or right lateral
12	SC1405-L14	SC1406-L14	countersunk flat head screw with hexalobular socket (axle screw)
13	SC1404-L14	SC1405-L14	countersunk flat head screw with hexalobular socket
14	SK0385	SK0385	solenoid unit
14a	FE1508-01	FE1508-01	coil spring
14b	ET0723-6/18	ET0723-6/18	end cap for connector of the solenoid
9-14	SK3883-L	SK3885-L	functional unit, left lateral or right medial
9-14	SK3883-R	SK3885-R	functional unit, left medial or right lateral

* Sliding Washers

Article Number for System Width	
16mm	20mm
∅ = 19mm	∅ = 24mm
GS1910-040	GS2411-040
GS1910-045	GS2411-045
GS1910-050	GS2411-050
GS1910-055	GS2411-055
GS1910-060	GS2411-060

The last three digits of the article number stand for the thickness of the sliding washer, e. g. GS1910-040. The thickness of this sliding washer is 0.40mm. In total, the sliding washers are available in five different thicknesses. The thickness of a sliding washer is indicated by the markings. For example, a sliding washer with two notches is 0.40mm thick, whereas a sliding washer with one notch is 0.55mm thick.



→ You will find system side bars and system anchors on catalogue page I1ff.

Upper Parts (1)



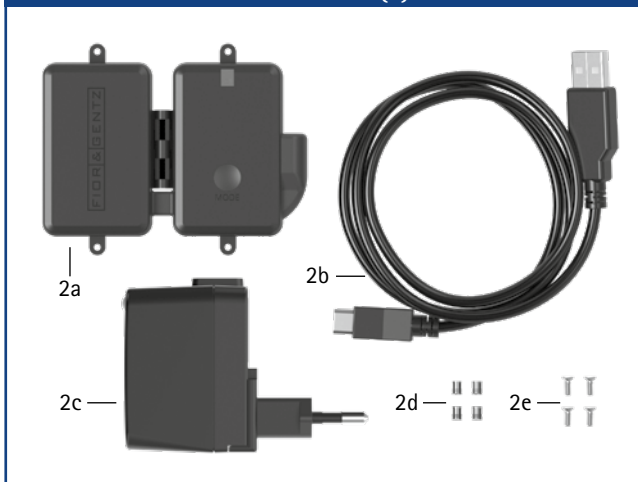
Upper Parts

Item	Article Number for System Width		Description
	16mm	20mm	
1	SK0303-L/TI	SK0305-L/TI	0° upper part, left lateral or right medial, straight, titanium
1	SK0303-R/TI	SK0305-R/TI	0° upper part, left medial or right lateral, straight, titanium
1	SK0303-4L/TI	SK0305-4L/TI	10° upper part, left lateral or right medial, straight, titanium
1	SK0303-4R/TI	SK0305-4R/TI	10° upper part, left medial or right lateral, straight, titanium

→ You will find the corresponding cloth bags for orthoses on catalogue page K14.

Note: for the production of a KAFO with the NEURO TRONIC you need a controller set (SL3860-S), a remote control set (SL3860-P), a connection cable set NEURO TRONIC (SK3860-K oder SK3860-K/2) or alternatively the connection cable set NEURO HiSWING R+, NEURO TRONIC (SK3860-K/4) in combination with the NEURO HiSWING R+ system ankle joint.

Controller Set (2)

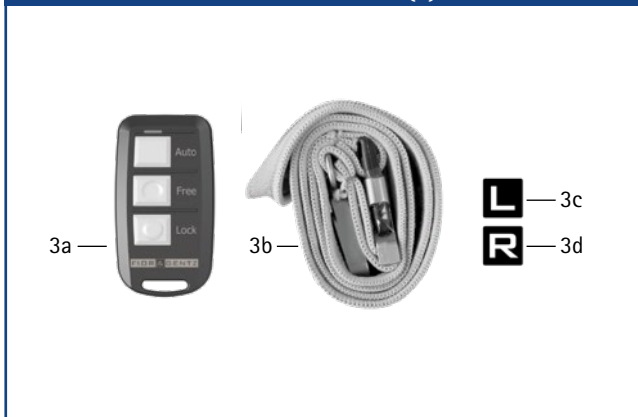


Controller Set

Item	Article Number for System Width 20mm	Description	Unit	Quantity	
				unilateral	bilateral
2	SL3860-S	controller set	set	1	1
2a	ET3860	controller with Bluetooth with lithium-polymer battery	piece	1	1
2b	ET0710-01	charging cable for controller, 1m	piece	1	1
2c	ET0780-01	power supply unit incl. primary adapters for Europa, USA/Japan, UK, Australia	set	1	1
2d	VE0831-A3**	thread insert**	piece	4	4
2e	SC1302-L06**	countersunk flat head screw with cross recess H**	piece	4	4

** required for mounting the controller

Remote Control Set (3)

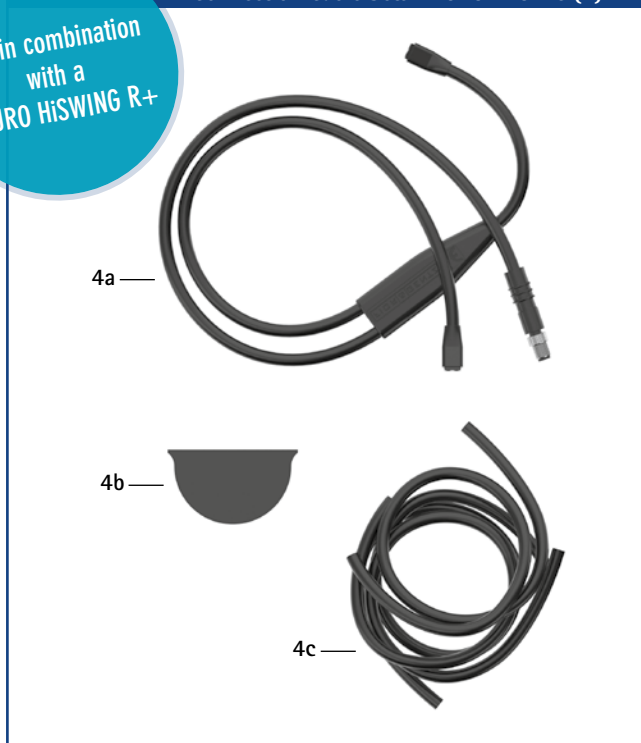


Remote Control Set

Item	Article Number for System Width 20mm	Description	Unit	Quantity	
				unilateral	bilateral
3	SL3860-P	remote control set	set	1	1
3a	ET3840-P	remote control with Bluetooth for the patient	piece	1	1
3b	PR4000	lanyard FIOR & GENTZ	piece	1	1
3c	HE3800-SK/L	letter sticker L for remote control, left leg	piece	1	1
3d	HE3800-SK/R	letter sticker R for remote control, right leg	piece	1	1

not in combination with a NEURO HiSWING R+

Connection Cable Sets NEURO TRONIC (4)

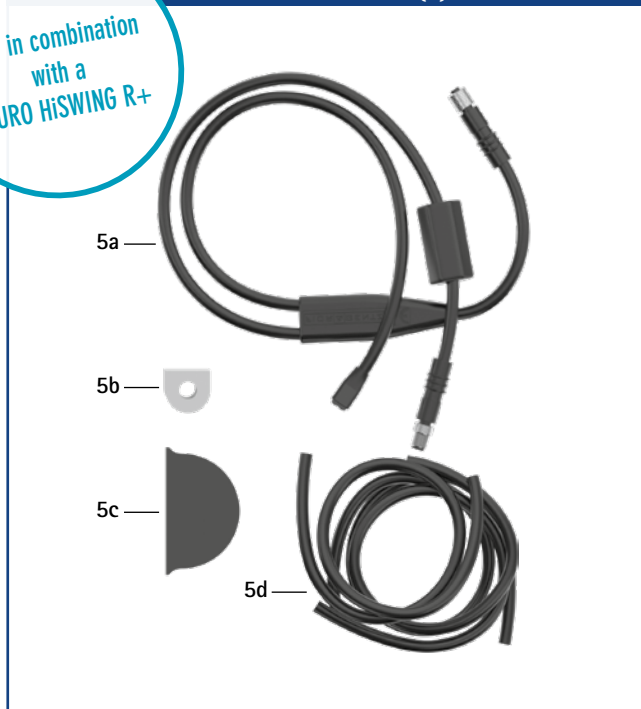


Connection Cable Sets NEURO TRONIC

Item	Article Number for System Width 20mm	Description	Unit	Quantity	
				unilateral	bilateral
4	SK3860-K	connection cable set NEURO TRONIC	set	1	-
4	SK3860-K/2	connection cable set NEURO TRONIC	set	-	1
4a	ET0712-00	connection cable for solenoid, unilateral, 300mm	piece	1	-
4a	ET0712-02	connection cable for solenoid, bilateral, 420mm	piece	-	1
4b	ET0971-1	lamination dummy for cable length compensation	piece	1	3
4c	SK0935-11	lamination dummy for solenoid connection cable, 250mm	piece	1	1
4c	SK0935-12	lamination dummy for solenoid connection cable, 170mm	piece	-	1
4c	SK0935-13	lamination dummy for solenoid connection cable, 85mm	piece	-	1

only in combination with a NEURO HiSWING R+

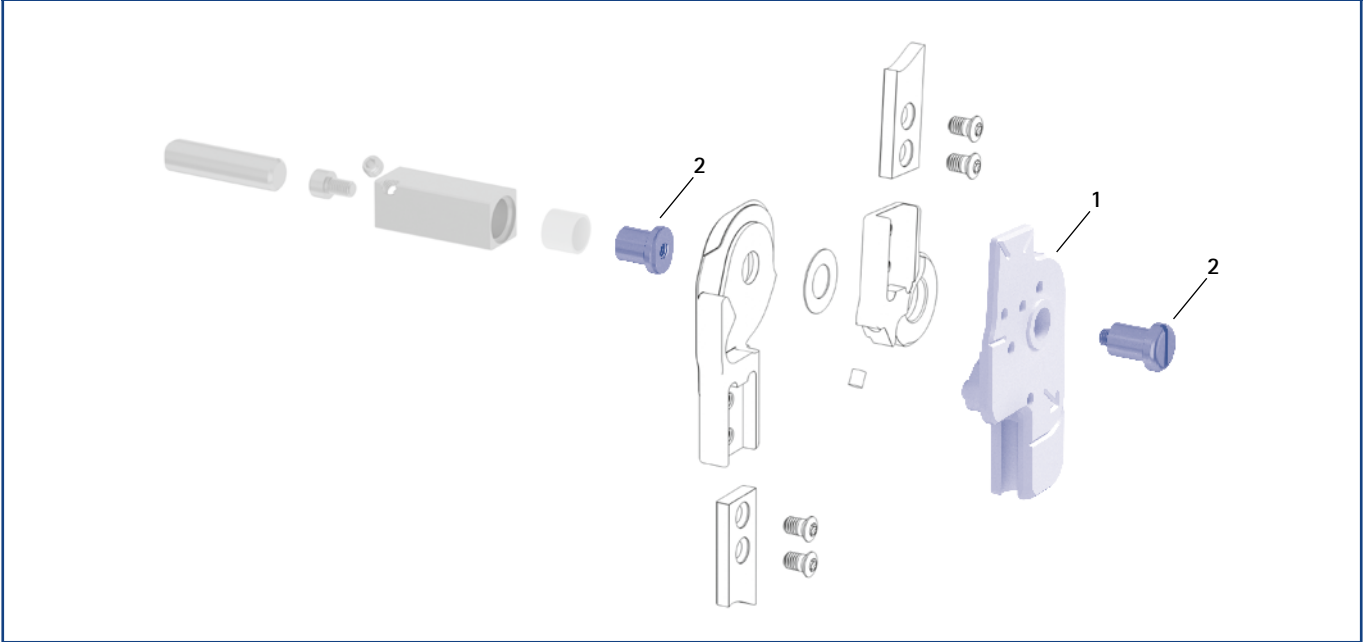
Connection Cable Set (5)



Connection Cable Set

Item	Article Number for System Width 20mm	Description	Unit	Quantity
				unilateral
5	SK3860-K/4	connection cable set NEURO HiSWING R+, NEURO TRONIC	set	1
5a	ET0714-02	connection cable for functional unit NEURO TRONIC and NEURO HiSWING R+, 660mm	piece	1
5b	ET0972-3	lamination dummy for connection cable for functional unit	piece	1
5c	ET0971-1	lamination dummy for cable length compensation	piece	3
5d	SK0935-11	lamination dummy for connection cable for NEURO TRONIC functional unit, 250mm	piece	1
5d	SH0985-15	lamination dummy for connection cable for NEURO HiSWING R+ functional unit, 270mm	piece	1
5d	SH0985-16	lamination dummy for connection cable for controller, 150mm	piece	1

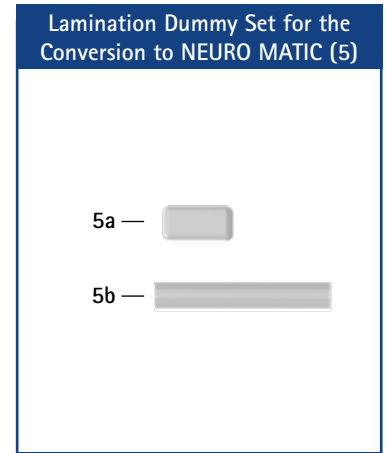
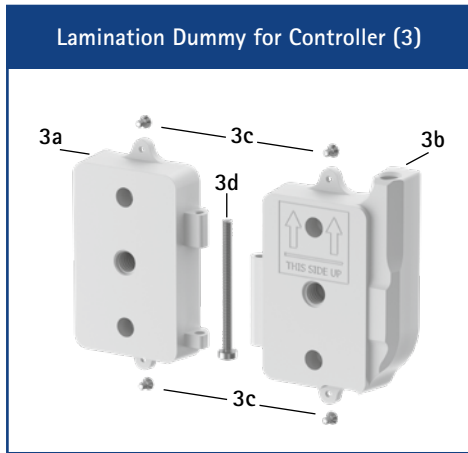
Assembly/Lamination Dummies and Joint Retainers (1, 2)



Assembly/Lamination Dummies and Joint Retainers

Item	Article Number for System Width		Description	Unit
	16mm	20mm		
1	SK0933-L	SK0935-L	assembly/lamination dummy, left lateral or right medial	piece
1	SK0933-R	SK0935-R	assembly/lamination dummy, left medial or right lateral	piece
2	PE1015-LR	PE1025-LR	joint retainer	piece
	6/C	7/C	laser marking	-

- ➔ Assembly/lamination dummies are included in the scope of delivery of the system joints.
- ➔ You will find an overview of our tools on catalogue page J1ff.
- ➔ You will also find the joint retainers and the corresponding laser markings in the tool case on the catalogue pages J15 and J16.



Lamination Dummy for Controller

Item	Article Number	Description	Unit
3	ET0935	lamination dummy for controller, two parts	set
3a	ET0935-1	lamination dummy for controller, battery side	piece
3b	ET0935-2	lamination dummy for controller, cable side	piece
3c	SC1302-L04	countersunk flat head screw with cross recess H, 4 pieces	piece
3d	SC0403-L40	pan head screw with hexalobular socket	piece

Lamination Dummy with Wye Junction for Solenoid Connection Cable

Item	Article Number	Description	Unit	Quantity	
				unilateral*	bilateral**
4	ET0972-2	lamination dummy with wye junction for solenoid connection cable	piece	1	1

* for solenoid connection cable NEURO TRONIC and NEURO HiSWING R+

** for solenoid connection cable NEURO TRONIC

Lamination Dummy Set for a Conversion to NEURO MATIC

Item	Article Number	Description	Unit	Quantity	
				unilateral	bilateral
5	SK3300-1	lamination dummy set, unilateral	set	1	-
5	SK3300-2	lamination dummy set, bilateral	set	-	1
5a	SK0935-06	lamination dummy for cable cover guidance	piece	1	2
5b	SK0935-05	cable cover conduit made of plastic	piece	1	2