

NEURO SWING-CLASSIC



NEURO SWING

NEURO SWING 2

NEURO HiSWING

NEURO HiSWING R+

NEURO SWING Carbon

	Dorsiflexion Stop	Plantar Flexion Stop
Main Function	 <p>dynamic</p>	 <p>dynamic (with dorsiflexion assist)</p>
Adjustment Options	adjustable, variable spring force by exchanging the spring unit	adjustable, variable spring force by exchanging the spring unit
Other Functions	static by adjusting the motion limiting screw	static by adjusting the motion limiting screw

The NEURO SWING 2 system ankle joint comes with integrated shock absorption.

The NEURO SWING 2 system ankle joint can be converted into the NEURO CLASSIC system ankle joint free moving by optionally filing the system stirrup and by exchanging the the functional unit.

The NEURO CLASSIC with plug + go modularity can be used as supporting joint for the NEURO SWING 2 system ankle joint.



The NEURO SWING 2 system ankle joint can be converted into the NEURO CLASSIC with plug + go modularity, NEURO VARIO-CLASSIC 2, NEURO VARIO 2, NEURO VARIO-SPRING 2, NEURO VARIO-SWING, NEURO SWING, NEURO SWING-CLASSIC and NEURO HiSWING system ankle joints by exchanging the functional unit and in the case of the NEURO HiSWING by mounting the spirit level as well. The system joints are available in the categories with or without feather keys, depending on the system width. Conversion is only possible within the respective category.



NEURO SWING-CLASSIC

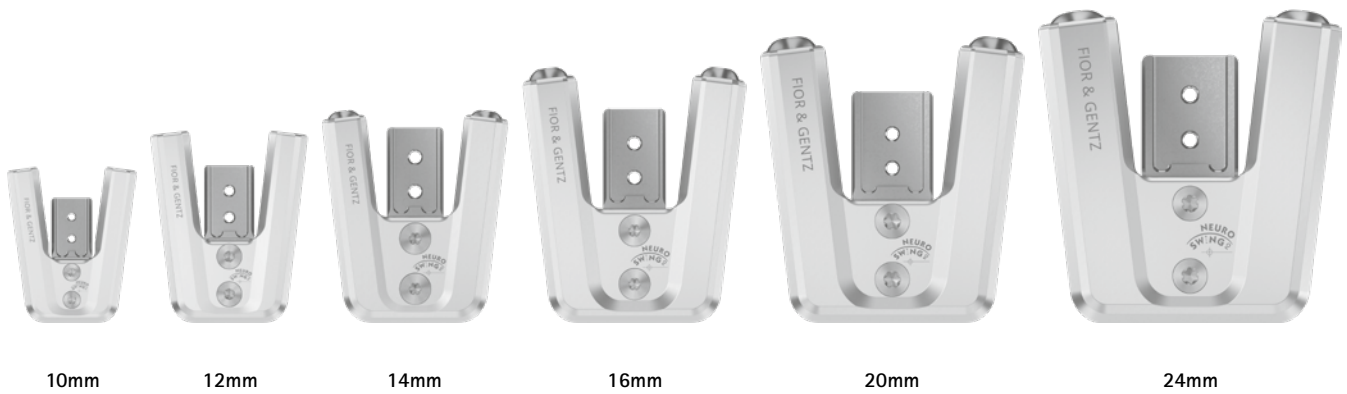
NEURO SWING

NEURO SWING 2

NEURO HISWING

NEURO HISWING R+

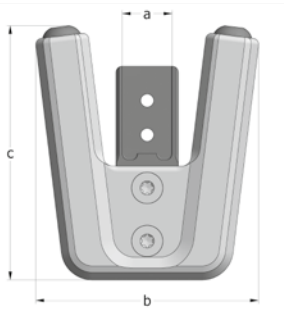
NEURO SWING Carbon



Joint Dimensions [mm]		System Width a					
Dimension	Description	10mm	12mm	14mm	16mm	20mm	24mm
b	joint head width	41.5	50	59	71	84	97
c	joint height	50	61	66	79	89	104
	joint thickness	10	12	14	17	20	25

Joint Weights* [g]		System Width					
Material	Unit	10mm	12mm	14mm	16mm	20mm	24mm
steel	piece	37	61	95	145	218	-
titanium	piece	-	52	81	125	189	318

* without spring units



The NEURO SWING 2 system ankle joint is delivered with the following articles:

- cover plate pressing aid
- orthosis joint grease, 3g
- assembly/lamination dummy

- ➔ Please order spring units, shaping dummy, system stirrups and system side bars/anchors separately.
- ➔ You will find spring units on catalogue page C30.8.
- ➔ You will find the shaping dummy on catalogue page C30.9.
- ➔ You will find system stirrups plug + go modularity on catalogue page C30.10f.
- ➔ You will find system side bars and system anchors on catalogue page I1ff.



straight
fig. 1



bent inwards
fig. 2



bent outwards
fig. 3

Straight (Fig. 1)

Material	Leg	Unit	Article Number for System Width					
			10mm	12mm	14mm	16mm	20mm	24mm
steel	left or right	piece	SH5200-ST/LR	SH5201-ST/LR	SH5202-ST/LR	SH5203-ST/LR	SH5205-ST/LR	-
titanium	left or right	piece	-	SH5201-TI/LR	SH5202-TI/LR	SH5203-TI/LR	SH5205-TI/LR	SH5207-TI/LR

Bent Inwards (Fig. 2)

Material	Leg	Unit	Article Number for System Width					
			10mm	12mm	14mm	16mm	20mm	24mm
steel	left or right	piece	SH5220-ST/LR	SH5221-ST/LR	SH5222-ST/LR	SH5223-ST/LR	SH5225-ST/LR	-
titanium	left or right	piece	-	SH5221-TI/LR	SH5222-TI/LR	SH5223-TI/LR	SH5225-TI/LR	SH5227-TI/LR

Bent Outwards (Fig. 3)

Material	Leg	Unit	Article Number for System Width					
			10mm	12mm	14mm	16mm	20mm	24mm
steel	left or right	piece	SH5240-ST/LR	SH5241-ST/LR	SH5242-ST/LR	SH5243-ST/LR	SH5245-ST/LR	-
titanium	left or right	piece	-	SH5241-TI/LR	SH5242-TI/LR	SH5243-TI/LR	SH5245-TI/LR	SH5247-TI/LR

NEURO SWING-CLASSIC

NEURO SWING

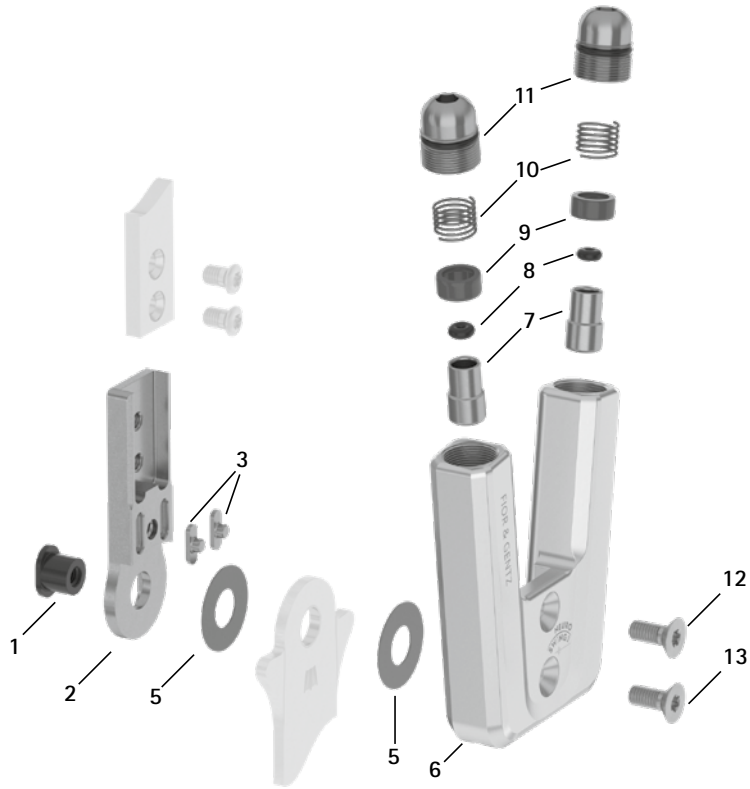
NEURO SWING 2

NEURO HiSWING

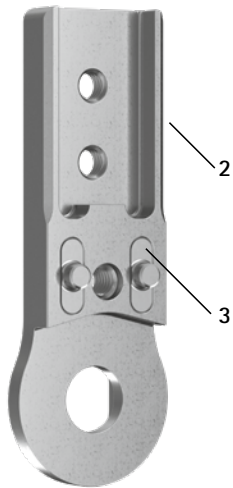
NEURO HiSWING R+

NEURO SWING Carbon

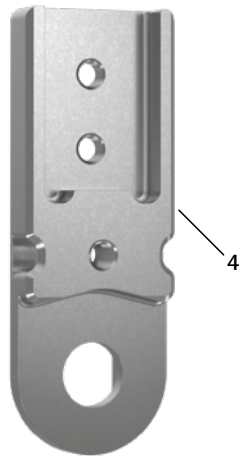
Spare Parts



Upper Part with Feather Keys, Preassembled (2-3)



Upper Part without Feather Keys (4)



Spare Parts Screw Unit (11)



Spare Parts for the System Joint with Feather Keys				
Item	Article Number for System Width			Description
	10mm	12mm	14mm	
1	SB6039-L0580*	SB7049-L0590*	SB8559-L0630*	bearing nut*
2-3	SF0310-P/ST	SF0311-P/ST	SF0312-P/ST	upper part with feather keys, straight, steel
2-3	-	SF0311-P/TI	SF0312-P/TI	upper part with feather keys, straight, titanium
2-3	SF0330-P/ST	SF0331-P/ST	SF0332-P/ST	upper part with feather keys, bent inwards, steel
2-3	-	SF0331-P/TI	SF0332-P/TI	upper part with feather keys, bent inwards, titanium
2-3	SF0330-8P/ST	SF0331-8P/ST	SF0332-8P/ST	upper part with feather keys, bent outwards, steel
2-3	-	SF0331-8P/TI	SF0332-8P/TI	upper part with feather keys, bent outwards, titanium
3	SF0390-01	SF0391-01	SF0392-02	feather key with pin
5	GS1206-**	GS1407-**	GS2009-**	sliding washer**
6	SH0560-AL	SH0561-AL	SH0562-AL	cover plate
7	SH0490-01	SH0491-01	SH0492-01	plunger
8	PN0003-L02	PN0004-L02	-	stop damper
8	-	-	VE3771-010/20	O-ring damper
9	GS0604-350	GS0705-525	GS1007-350	sliding bushing
10	FE1615-01	FE1611-01	FE1916-01	coil spring
11	SC9609-L13	SC9611-L14	SC9612-L15	screw unit
11a	VE3771-06/11	VE3771-08/15	VE3771-09/15	O-ring for securing the alignment screw
11b	SC9609-L13/S	SC9611-L14/T	SC9612-L15/T	alignment screw
11c	VE3771-03/10	VE3771-04/10	VE3771-04/10	O-ring for securing the motion limiting screw
11d	SC9606-L05	SC9607-L06	SC9607-L06	motion limiting screw
12	SC1403-L08	SC1404-L10	SC1405-L11	countersunk flat head screw with hexalobular socket
13	SC1403-L08	SC1404-L10	SC1405-L11	countersunk flat head screw with hexalobular socket (axle screw)
6-13	SH5970-AL*	SH5971-AL*	SH5972-AL*	functional unit plug + go modularity*

* For a conversion from the NEURO CLASSIC with plug + go modularity, this longer bearing nut is required in addition to the functional unit (see item 1).

Spare Parts for the System Joint without Feather Keys				
Item	Article Number for System Width			Description
	16mm	20mm	24mm	
1	SB9669-L0760*	SB1069-L0960*	SB1262-L1400	bearing nut*
4	SH0813-ST	SH0815-ST	-	upper part without feather keys, straight, steel
4	SH0813-TI	SH0815-TI	SF0317-TI	upper part without feather keys, straight, titanium
4	SH0833-ST	SH0835-ST	-	upper part without feather keys, bent inwards, steel
4	SH0833-TI	SH0835-TI	SF0337-TI	upper part without feather keys, bent inwards, titanium
4	SH0833-8/ST	SH0835-8/ST	-	upper part without feather keys, bent outwards, steel
4	SH0833-8/TI	SH0835-8/TI	SF0337-8/TI	upper part without feather keys, bent outwards, titanium
5	GS2210-**	GS2611-**	GS3013-**	sliding washer**
6	SH0563-3/AL	SH0565-3/AL	SH0567-AL	cover plate
7	SH0493-01	SH0493-01	SH0493-01	plunger
8	VE3771-012/26	VE3771-012/26	VE3771-012/26	O-ring damper
9	GS1108-500	GS1108-500	GS1108-500	sliding bushing
10	FE1027-01	FE1027-01	FE1027-01	coil spring
11	SC9614-L17	SC9618-L17	SC9622-L19	screw unit
11a	VE3771-11/15	VE3771-125/15	VE3771-160/15	O-ring for securing the alignment screw
11b	SC9614-L17/T	SC9618-L17/T	SC9622-L19/T	alignment screw
11c	VE3771-04/10	VE3771-07/10	VE3771-07/10	O-ring for securing the motion limiting screw
11d	SC9607-L06	SC9611-L06	SC9611-L06	motion limiting screw
12	SC1405-L12	SC1416-L14	SC1416-L16	countersunk flat head screw with hexalobular socket
13	SC1405-L12	SC1416-L14	SC1416-L16	countersunk flat head screw with hexalobular socket (axle screw)
6-13	SH5983-AL*	SH5985-AL*	SH5987-AL	functional unit plug + go modularity*

* For a conversion from the NEURO CLASSIC with plug + go modularity, this longer bearing nut is required in addition to the functional unit (see item 1). This conversion is not possible for the 24 mm system width.

Feather Key Set

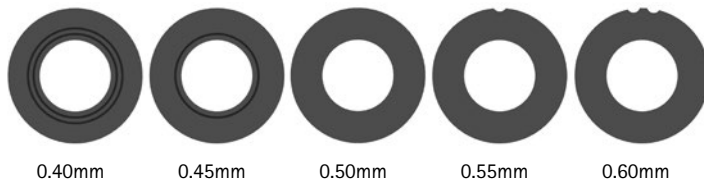
Item	Article Number for System Width			Description	Unit
	10mm	12mm	14mm		
w/o fig.	SF0390	SF0391	SF0392	feather key set	set

➔ The feather key set contains two feather keys with pin and the outer assembly/lamination dummy to make pressing easier. You can order the set if the feather keys have to be exchanged.

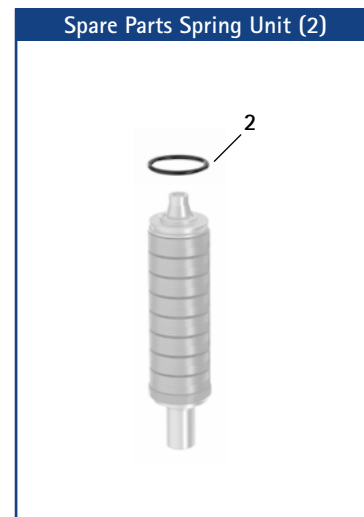
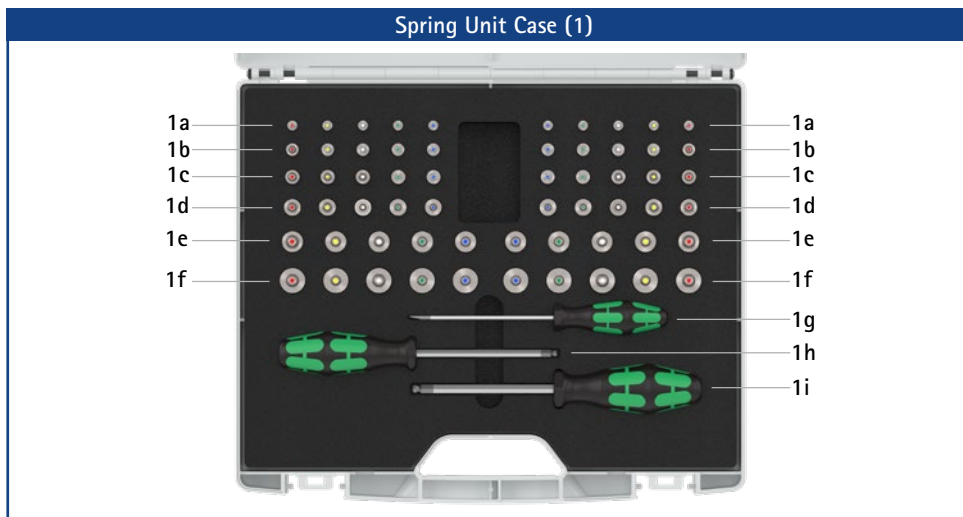
** Sliding Washers

10mm	Article Number for System Width				
	12mm	14mm	16mm	20mm	24mm
Ø = 12mm	Ø = 14mm	Ø = 20mm	Ø = 22mm	Ø = 26mm	Ø = 30 mm
GS1206-040	GS1407-040	GS2009-040	GS2210-040	GS2611-040	GS3013-040
GS1206-045	GS1407-045	GS2009-045	GS2210-045	GS2611-045	GS3013-045
GS1206-050	GS1407-050	GS2009-050	GS2210-050	GS2611-050	GS3013-050
GS1206-055	GS1407-055	GS2009-055	GS2210-055	GS2611-055	GS3013-055
GS1206-060	GS1407-060	GS2009-060	GS2210-060	GS2611-060	GS3013-060

The last three digits of the article number stand for the thickness of the sliding washer, e.g. GS1407-040. The thickness of this sliding washer is 0.40mm. In total, the sliding washers are available in five different thicknesses. The thickness of a sliding washer is indicated by the markings. For example, a sliding washer with two notches is 0.40mm thick, whereas a sliding washer with one notch is 0.55mm thick.



➔ You will find system stirrups plug + go modularity on catalogue page C30.10f.
 ➔ You will find the system side bars and system anchors on catalogue page I1ff.



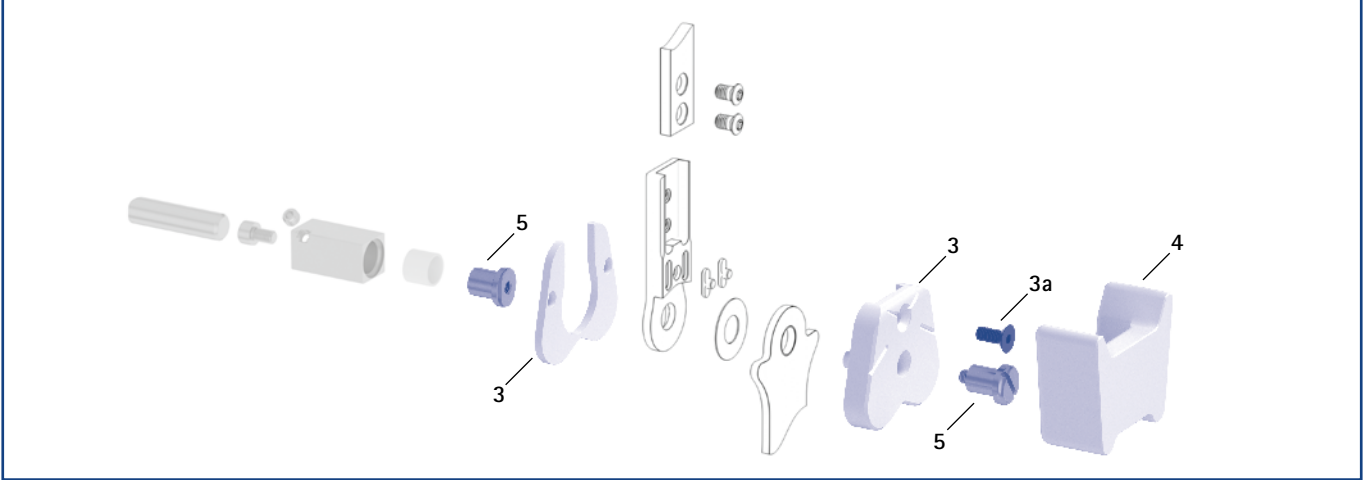
Spring Unit Case		
Item	Article Number	Description
1	SH5800	1 x spring unit set in a case with tools
w/o fig.	SH5800-0	1 x spring unit case for filling by yourself, with tools (without spring units)
1a	see table spring units	2 x of each blue, green, white, yellow and red spring unit for NEURO SWING 2, 10mm
1b	see table spring units	2 x of each blue, green, white, yellow and red spring unit for NEURO SWING 2, 12mm
1c	see table spring units	2 x of each blue, green, white, yellow and red spring unit for NEURO SWING 2, 14mm
1d	see table spring units	2 x of each blue, green, white, yellow and red spring unit for NEURO SWING 2, 16mm
1e	see table spring units	2 x of each blue, green, white, yellow and red spring unit for NEURO SWING 2, 20mm
1f	see table spring units	2 x of each blue, green, white, yellow and red spring unit for NEURO SWING 2, 24mm
1g	WZ5703-3513	1 x slotted screwdriver 0.6 x 3.5 x 100mm
1h	WZ5112-4010	1 x hexagonal screwdriver with spherical head, 4 x 100mm
1i	WZ5112-5010	1 x hexagonal screwdriver with spherical head, 5 x 100mm

Spring Units (You Need Two of the Following Spring Units for One NEURO SWING 2 System Ankle Joint):							
Article Number for System Width						Description	Unit
10mm	12mm	14mm	16mm	20mm	24mm		
SH5800-15/02	SH5801-15/03	SH5802-15/05	SH5803-15/07	SH5805-15/18	SH5807-15/12	spring unit, blue, normal, max. 15° range of motion	piece
SH5800-15/04	SH5801-15/06	SH5802-15/11	SH5803-15/15	SH5805-15/25	SH5807-15/25	spring unit, green, medium, max. 15° range of motion	piece
SH5800-10/06	SH5801-10/12	SH5802-09/16	SH5803-10/21	SH5805-10/40	SH5807-10/53	spring unit, white, strong, max. 10° range of motion	piece
SH5800-10/09	SH5801-10/19	SH5802-10/29	SH5803-10/31	SH5805-10/60	SH5807-10/80	spring unit, yellow, very strong, max. 10° range of motion	piece
SH5800-05/17	SH5801-05/33	SH5802-05/53	SH5803-05/63	SH5805-05/99	SH5807-05/99	spring unit, red, extra strong, max. 5° range of motion	piece

Spare Parts Spring Units							
Item	Article Number for System Width						Description
	10mm	12mm	14mm	16mm	20mm	24mm	
2	VE3771-045/10	VE3771-06/10	VE3771-07/10	VE3771-08/10	VE3771-11/10	VE3771-140/10	O-ring for securing the spring unit

Spring Units Weights [g]								
Spring Unit	Article Number	System Width						
		10mm	12mm	14mm	16mm	20mm	24mm	
spring unit, blue, normal, max. 15° range of motion	see table spring units	3	7	8	13	36	39	
spring unit, green, medium, max. 15° range of motion	see table spring units	4	9	16	24	41	46	
spring unit, white, strong, max. 10° range of motion	see table spring units	4	10	19	29	52	85	
spring unit, yellow, very strong, max. 10° range of motion	see table spring units	4	10	19	32	61	97	
spring unit, red, extra strong, max. 5° range of motion	see table spring units	5	11	20	32	64	99	

Assembly/Lamination Dummies, Shaping Dummy and Joint Retainers (3, 4, 5)



Assembly/Lamination Dummies, Shaping Dummy and Joint Retainers

Item	Article Number for System Width						Description	Unit
	10mm	12mm	14mm	16mm	20mm	24mm		
3	SF0950-LR1	SF0951-LR1	SF0952-LR1	SF0953-LR1	SH0985-LR1	SF0957-LR1	assembly/lamination dummy, two parts (2 dummies with screw)	set
3a	SC1053-L08	SC1054-L10	SC1055-L12	SC1055-L12	SC1056-L14	SC1056-L16	countersunk flat head screw with hexagon socket	piece
4	SF0950-LR2	SF0951-LR2	SF0952-LR2	SF0953-LR2	SF0955-5LR2	SF0957-LR2	shaping dummy	piece
5	PE1010-01/LR	PE1011-01/LR	PE1012-LR	PE1013-LR	PE1025-LR	PE1127-LR	joint retainer	piece
	1/Y	2/Z	4/B	5/C	7/C	11/D	laser marking	-

- ➔ Assembly/lamination dummies are included in the scope of delivery of the system joints.
- ➔ You will find an overview of our tools on catalogue page J1ff.
- ➔ You will also find the joint retainers and the corresponding laser markings in the tool case on the catalogue pages J15 and J16.

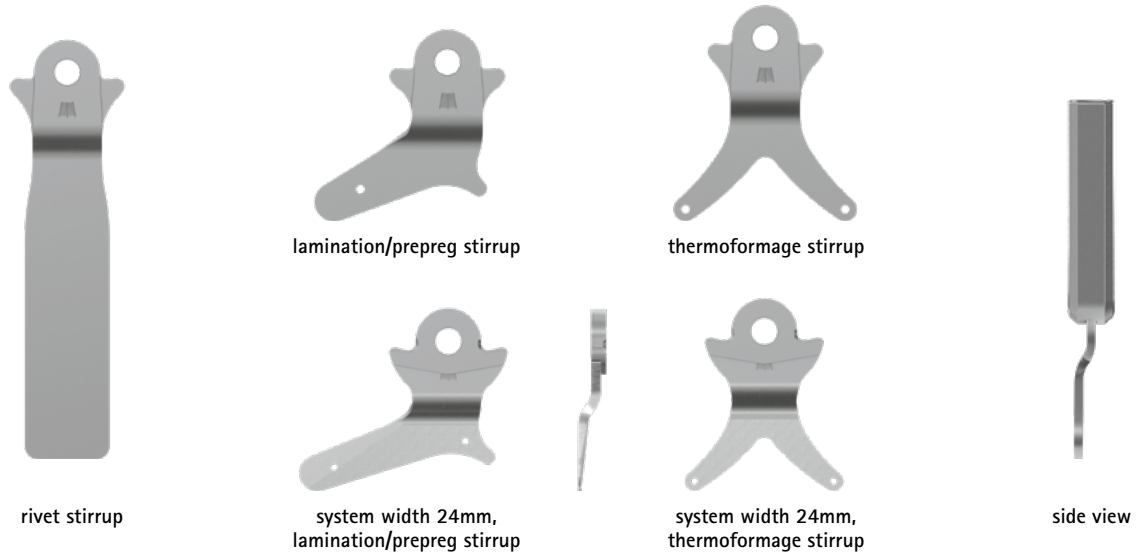
Cover Plate Pressing Aid

Item	Article Number for System Width						Description	Unit
	10mm	12mm	14mm	16mm	20mm	24mm		
6	WE5000-SF	WE5001-SF	WE5002-SF	WE5002-SF	WE5007-SF	WE5007-SF	cover plate pressing aid (pressing screw and washer)	set

- ➔ The cover plate pressing aid is included in the scope of delivery of the system joints.

Cover Plate Pressing Aid (6)





General Measures of the System Stirrups plug + go Modularity

Measure [mm]	System Width					
	10mm	12mm	14mm	16mm	20mm	24mm
thickness	2.0	2.0	2.5	3.0	3.0	4,5
neck width	16.0	19.4	23.2	26.6	30.8	32,5
bore hole diameter	6.0	7.0	8.5	9.6	10.5	12,5

Bent

Description	Leg/Leg Side	Unit	Article Number and Measures for System Width					
			10mm	12mm	14mm	16mm	20mm	24mm
rivet stirrup	left or right	piece	FB5070-LR/ST3	FB5071-LR/ST3	FB5082-LR/ST4	FB5093-LR/ST4	FB5015-LR/ST5	-
length from the middle of the bore hole [mm]			104	112	124	144	164	-
weight [g]			33	43	69	112	143	-
lamination/prepreg stirrup	left lateral or right medial	piece	FB5170-L/ST1	FB5171-L/ST1	FB5182-L/ST1	FB5193-L/ST1	FB5115-L/ST1	FB5137-L/TI2
	left medial or right lateral		FB5170-R/ST1	FB5171-R/ST1	FB5182-R/ST1	FB5193-R/ST1	FB5115-R/ST1	FB5137-R/TI2
length from the middle of the bore hole [mm]			28	40	54	64	68	71
weight [g]			10	16	32	53	70	78
thermoformage stirrup	left or right	piece	FB5270-LR/ST2	FB5271-LR/ST2	FB5282-LR/ST2	FB5293-LR/ST2	FB5215-LR/ST3	FB5237-LR/TI4
length from the middle of the bore hole [mm]			49	54	61	67	73	74
weight [g]			14	19	34	53	66	72



rivet stirrup



lamination/prepreg stirrup

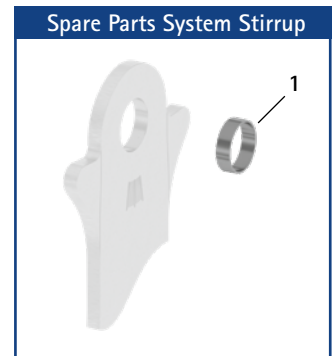


thermoformage stirrup

Straight							
Description	Unit	Article Number and Measures for System Width					
		10mm	12mm	14mm	16mm	20mm	24mm
rivet stirrup	piece	FB5070-ST/3	FB5071-ST/3	FB5082-ST/4	FB5093-ST/4	FB5015-ST/5	-
length from the middle of the bore hole [mm]		105	113	125	145	165	-
weight [g]		33	43	69	112	143	-
lamination/prepreg stirrup	piece	FB5170-ST/1	FB5171-ST/1	FB5182-ST/1	FB5193-ST/1	FB5115-ST/1	-
length from the middle of the bore hole [mm]		29	41	55	65	69	-
weight [g]		10	16	32	53	70	-
thermoformage stirrup	piece	FB5270-ST/2	FB5271-ST/2	FB5282-ST/2	FB5293-ST/2	FB5215-ST/3	-
length from the middle of the bore hole [mm]		50	55	62	68	74	-
weight [g]		14	19	34	53	66	-

Spare Parts System Stirrup							
Item	Article Number for System Width						Description
	10mm	12mm	14mm	16mm	20mm	24mm	
1	BP0706-L020	BR0807-L020	BR1009-L025	BR1110-L030	BR1211-L030	BR1413-L070	sliding bushing

➔ All system stirrups of the NEURO SWING 2 system ankle joint are delivered with an integrated sliding bushing.



➔ The system stirrup is marked with lines in the neck area in order to read the joint angle.

Information for Processing

Rivet Stirrup:

➔ This system stirrup is riveted to the foot piece.

Lamination/Prepreg Stirrup:

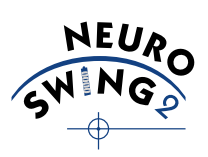
➔ This system stirrup is embedded into the laminate of the foot piece.

Thermoformage Stirrup:

➔ This system stirrup is embedded into thermoformable plastics, but can be embedded into laminates as well.

Clamping aid for system stirrup for system width 24mm:

➔ Due to the clamping aid for system stirrup, the system stirrup is not deformed during bending. The clamping aid for system stirrup is included in the scope of delivery of the system stirrup for system width 24mm. You will find further information on the steps on the FIOR & GENTZ website in the "Online Tutorials" section.



NEURO SWING-CLASSIC

NEURO SWING

NEURO SWING 2

NEURO HISWING

NEURO HISWING R+

NEURO SWING Carbon